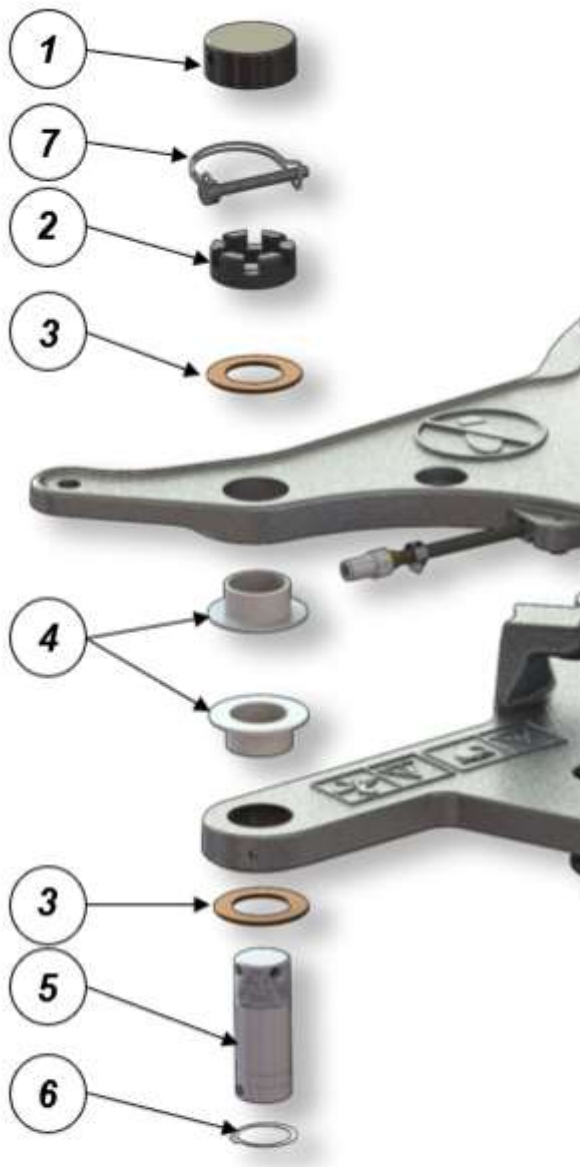
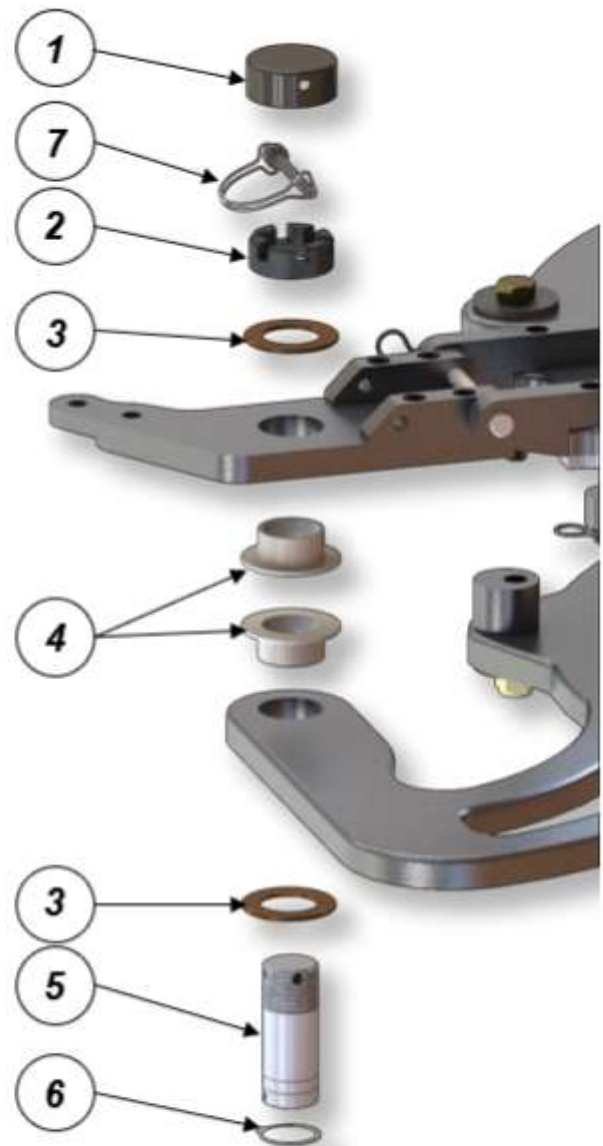


Kit, Hinge Pin (P/N 103835)

1	103968	Round Hinge Pin Cap (QTY 1)	Replace every 12 months
2	103969	Castle Nut (Qty 1)	
3	103678	Hinge Pin Thrust Washer (Qty 2)	Replace every 12 months
4	104019	Nylon Hinge Pin Bushing (QTY 2)	Replace every 12 months
5	103950	Hinge Pin (QTY 1)	Visually assess and replace if necessary
6	103951	Retaining Ring (QTY 1)	
7	103691	Hinge Pin "D"-Ring (QTY 1)	

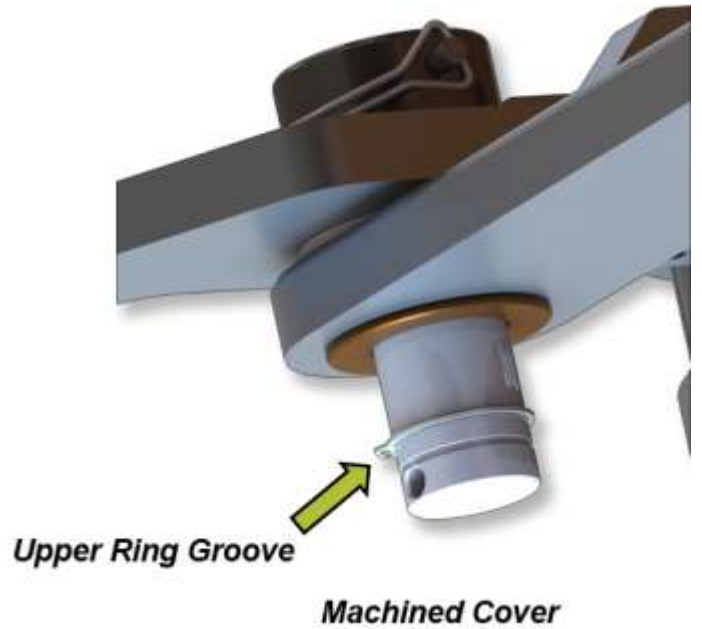
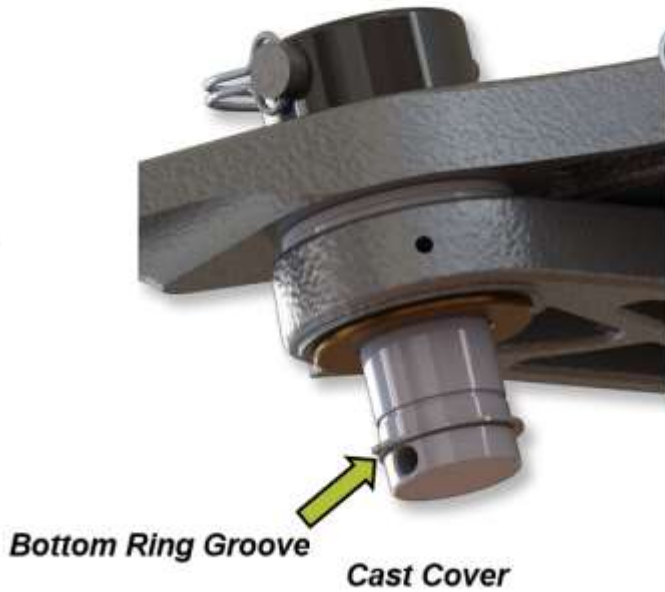


Cast Assembly



Machined Assembly

HINGE PIN CONNECTION



Insert the hinge-pin with one thrust washer on the bottom of the flange and one on the top of the cover. Apply anti-seize on the threads of the hinge-pin. Hand tighten the castle nut and insert the lock pin to hold the hinge pin. (If necessary loosen to the first available hole.) Check the cover for smooth operation.

